

Active X4, 18-40GHz Broadband Pout=+12dBm, 2.92mm



Description:

AT-AM4-1840-10XC is a broadband frequency multiplier. The multiplier has an input frequency of 4.5-11 GHz with a typical output +12dBm from 18-40GHz.

The integrated input and output buffers deliver high output power at a low drive level. The multiplier also has a typical harmonic suppression. The input port is SMA female, and the output is 2.92mm Female. Other port configurations are available under different requirement.

More information, please visit www.atmicrowave.com

Feature

- ✓ Frequency: 18-40GHz
- ✓ Pout: +12dBm typical
- ✓ Input: 4.5-11GHz
- ✓ Low Harmonics

Application

- ✓ 28/39GHz 5G Communication
- ✓ Test Equipment
- ✓ ROF (RF Over Fiber)
- ✓ Radar System

Electronical Specifications:

Parameter	Min	Typical	Max
Input Frequency	4.5GHz		10GHz
Input Power	+0	+3dBm	+8
Multiplier Factor		X4	
Output Frequency	18GHz		40GHz
Output Power	+10dBm	+12dBm	
X3/x5 Suppression vs X4 Pout		-20dBc	
Drain Voltage		+5V	+8V
Current		180mA	
Spec Temp		25C	





AT-AM4-1840-12XC

Active Multiplier x4, 18-40GHz Pout=+12dBm

Mechanical Information

Item	Description
Input Port	SMA Female
Output Port	2.92mm Female
Case Material	Copper
Finish	Gold Plated
Weight (Without Heatsink)	80g
Size:	See outline

Absolute Maximum Ratings Table

Parameter	Value
Drain Supply	+13V
RF Input Power	+18dBm
Operating Temperature	-18 to +70C
Storage Temperature	-65 to +150C

Notes:

- ✓ Datasheet may be changed according to update of MMIC, Raw materials , process, and so on.
- ✓ This data is only for reference, not for guaranteed specifications.
- ✓ Please contact AT Microwave team to make sure you have the most current data.
- ✓ Always pay attention to the temperature of the case, heatsink and fan are required if case temperature exceeds over 50C.

Part Number Selection Guide

Item	Description
PN	Standard Module with DC Power Supply
PN-LCBT	L ow Cost, C ompact B ench- T op, +220V Supply with AC/DC Adapter

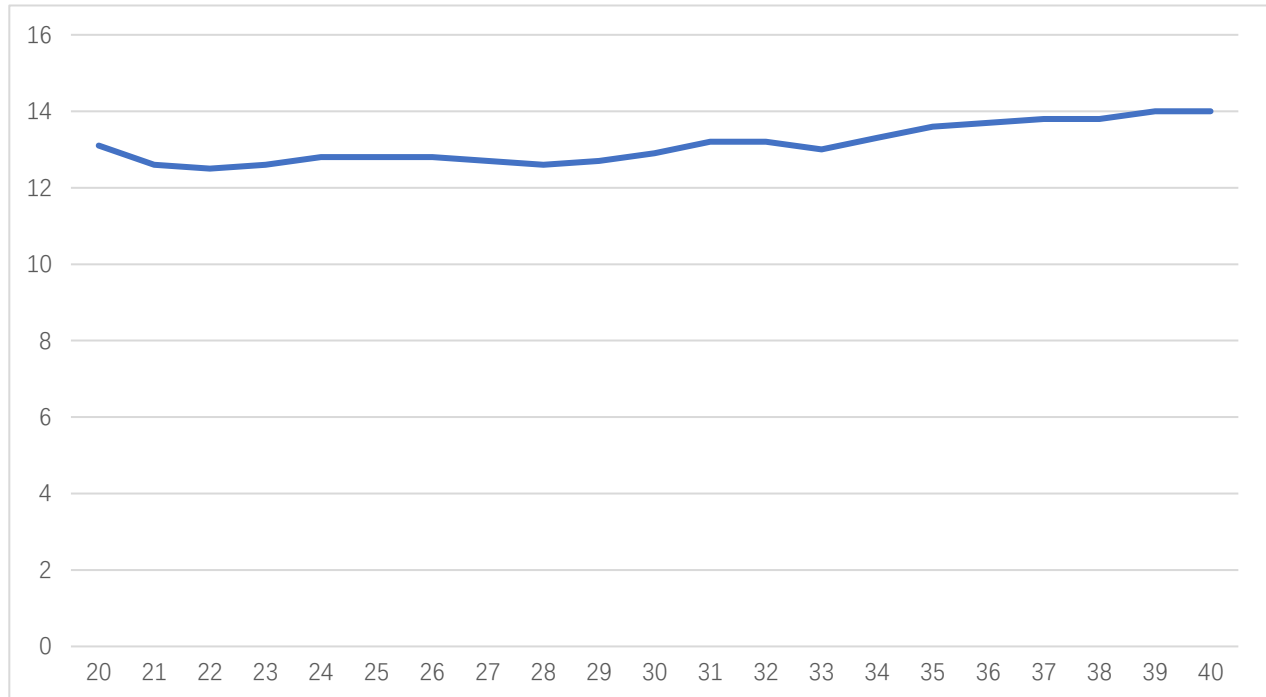




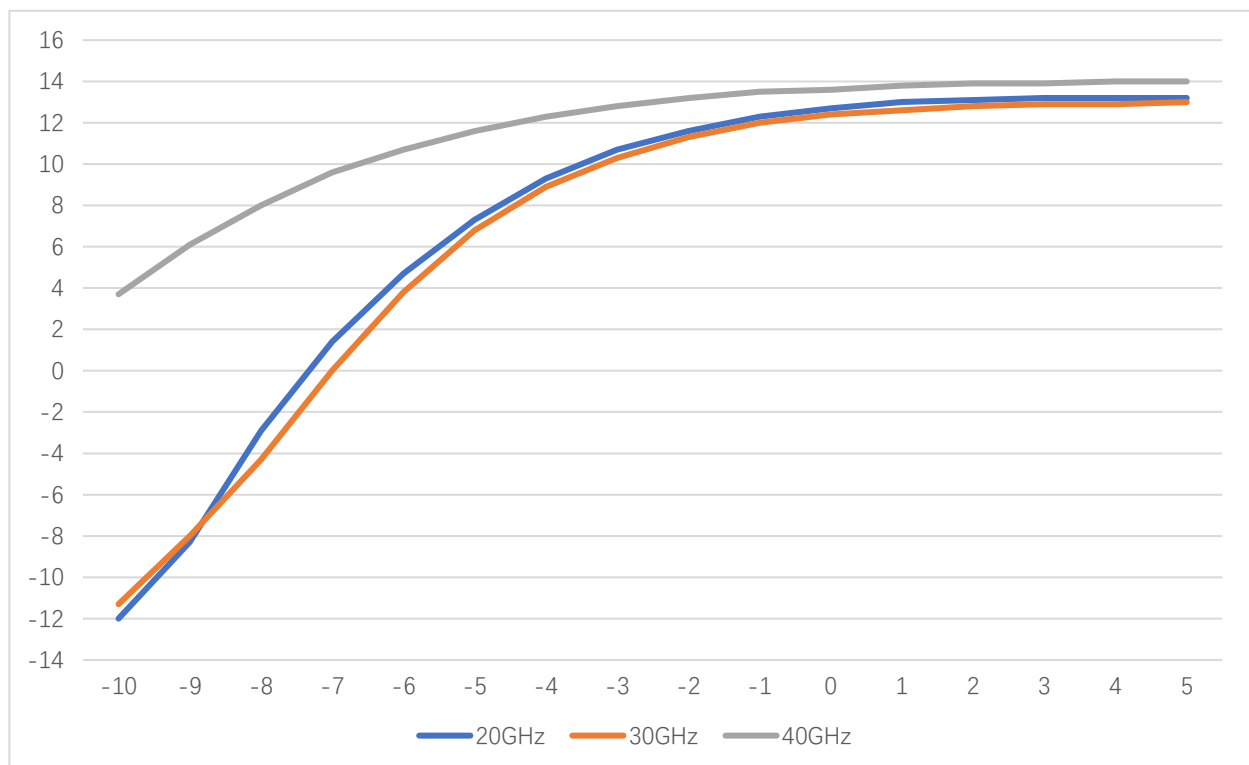
AT-AM4-1840-12XC

Active Multiplier x4, 18-40GHz Pout=+12dBm

Test Data:



Pout vs Frequency



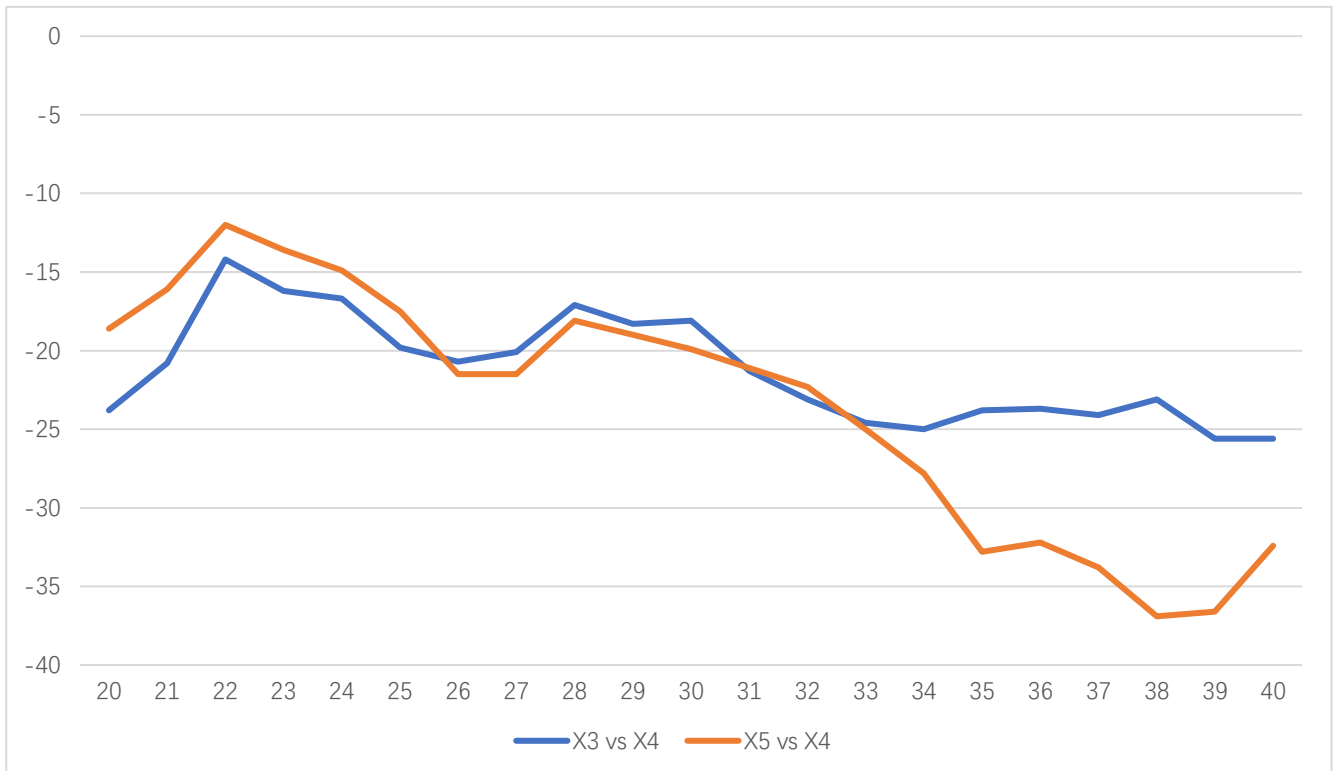
Pout vs Pin at 20/30/40GHz





AT-AM4-1840-12XC

Active Multiplier x4, 18-40GHz Pout=+12dBm



X3/x5 Suppression vs X4 Pout

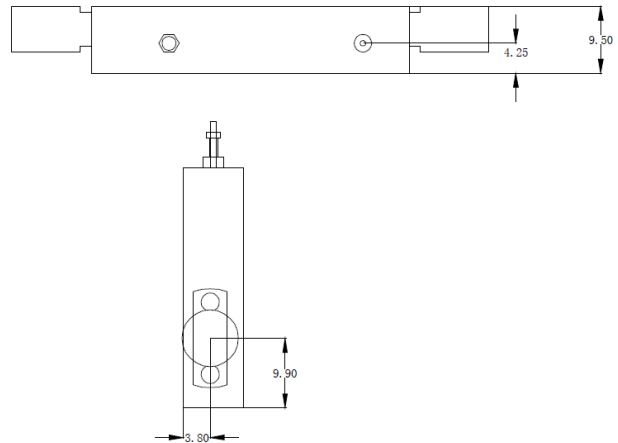
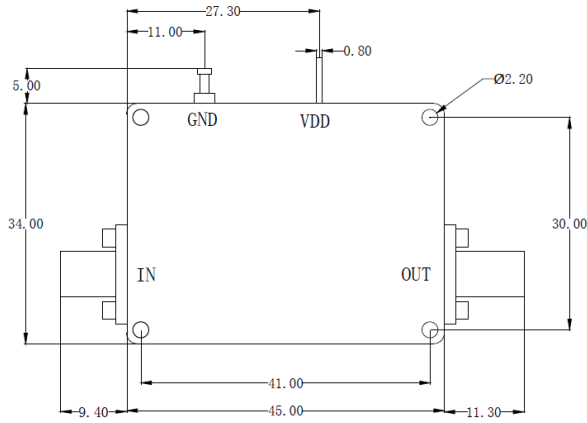




AT-AM4-1840-12XC

Active Multiplier x4, 18-40GHz Pout=+12dBm

Dimension: (Unit:mm)



	<26.5GHz	<40GHz	<50GHz	<67GHz
Connector	SMA	2.92mm	2.4mm	1.85mm
Lenth of a	9.4mm	9.5mm	10.8mm	11.3mm

Heat Sink Required If Case Temp Higher Than 50C

